



4

LINEAQUATTRO

NUOVA

**BRUGNOTTO**<sup>®</sup>  
SHOP INTERIORS

# BRUGNOTTO® SHOP INTERIORS



BRUGNOTTO SHOP INTERIORS produce sistemi di arredi modulari per negozi e spazi espositivi.

L'azienda è stata fondata nel 1980 e ha sede nel nord est d'Italia, a 40 km dalla città di Venezia.

Nei suoi stabilimenti di 18.000 mq, sono presenti le più moderne tecnologie produttive ed operano abili professionisti e designers con grande esperienza nel fashion retail design.

BRUGNOTTO SHOP INTERIORS offre soluzioni di arredo innovativo per nuovi spazi commerciali, grazie anche alla capacità di abbinare più materiali, quali vere pelli selezionate, ecopelle stampata e verniciata, metalli e legni con particolari finiture.

Tutti questi materiali vengono lavorati all'interno dell'azienda con cura e sapienza artigianale rendendo BRUGNOTTO SHOP INTERIORS una realtà unica ed esclusiva.



*BRUGNOTTO SHOP INTERIORS produces modular pieces of furniture for shops and show spaces.*

*The company was founded in 1980 with its headquarters in northeastern Italy, 40 kilometres from Venice.*

*Its headquarters is comprised of 18.000 square metres where the most up-to-date production technology is used by designers and professionals who have a vast experience in modern retail design.*



*BRUGNOTTO SHOP INTERIORS is able to find innovative furnishing solutions for new commercial spaces thanks to the ability of using different materials, such as carefully chosen genuine leather, printed and varnished eco-leather, various different metals and types of wood with particular finishings.*

*All these specified materials are used within the company using great care and specialist knowledge making BRUGNOTTO SHOP INTERIORS completely unique and exclusive.*



# 4

N U O V A

LINEAQUATTRO



## LINEA QUATTRO

Questa elegante linea di arredo modulare permette soluzioni alternative di arredo, per l'esposizione di capi appesi. Elementi retroilluminati, dotati di appenderie regolabili, da fissare a parete.

Banchi cassa modulari e singoli possono essere forniti con parti in eco-pelle o in finitura lucida, a scelta del cliente, divenendo così elementi caratterizzanti, per negozi di alta moda e boutique.

## LINE FOUR

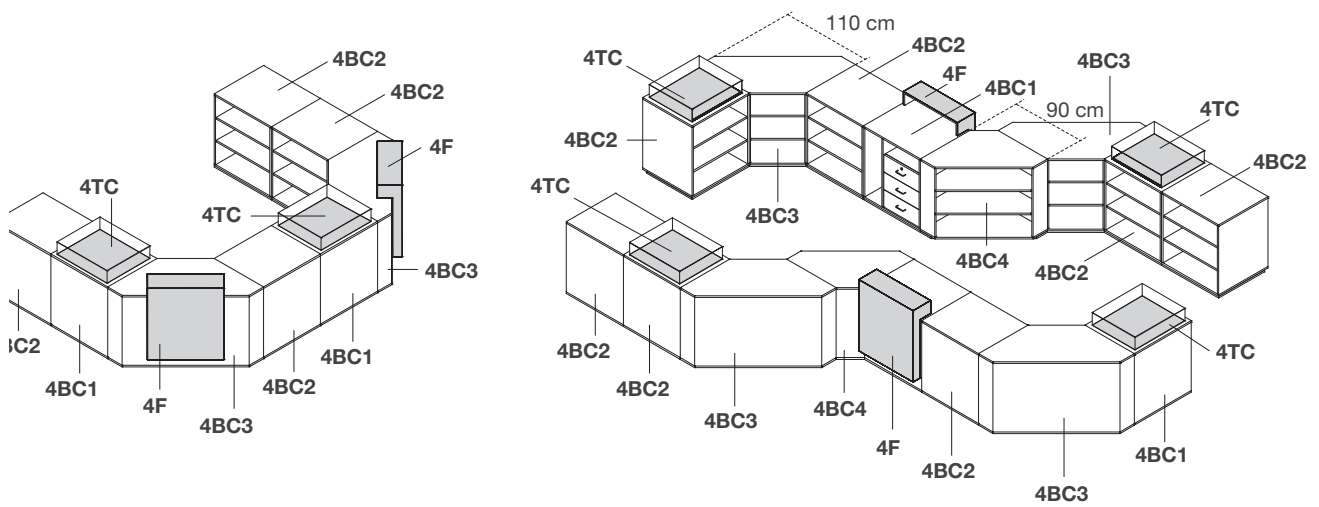
*This system offers clients alternative furniture solutions for sale areas.*

*Backlighted modular furnishing elements with wall fixing, provide a large display area for hanging garments.*

*Synthetic leathers and glossy faced panels are some of the materials used for modular or single cash counters which can be customized becoming therefore the hallmark for high fashion boutiques and shops.*



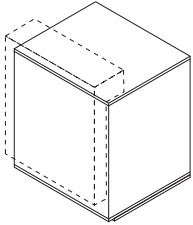
**BANCHI CASSA**  
CASH COUNTERS



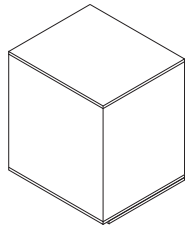


**BANCHI CASSA**  
CASH COUNTERS

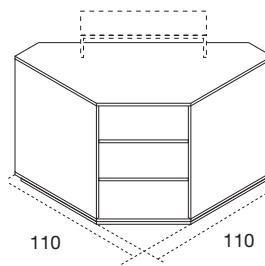
**4BC1**



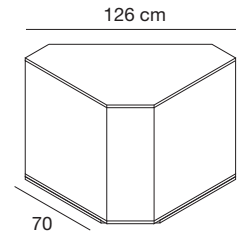
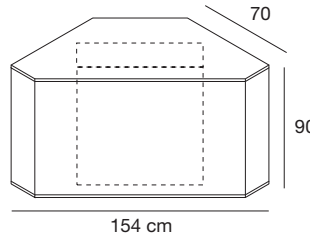
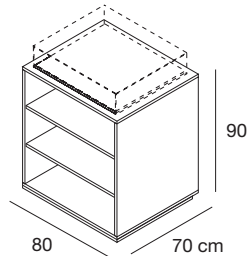
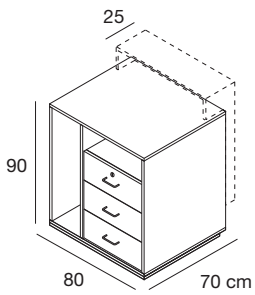
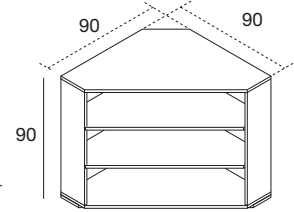
**4BC2**



**4BC3**



**4BC4**



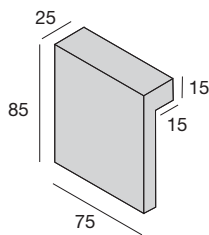
**4BC1/N**  
cassettiera  
nobilitato  
chest of drawers  
faced panel  
L80 x P70 x H90

**4BC2/N**  
modulo vani  
nobilitato  
compartments  
faced panel  
L80 x P70 x H90

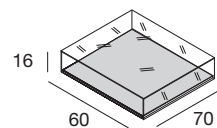
**4BC3/N**  
angolo  
nobilitato  
corner  
faced panel  
L110 x P110 x H90 cm

**4BC4/N**  
angolo  
nobilitato  
corner  
faced panel  
L90 x P90 x H90 cm

**4F/N**  
frontale  
nobilitato  
frontal  
in faced panel  
L75 x P25 x H85 cm



**4F/L**  
frontale  
nobilitato lucido  
frontal  
glossy faced panel  
L75 x P25 x H85 cm



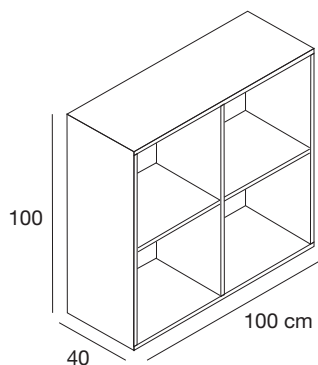
**4TC/N**  
teca vetro  
base in nobilitato  
glass case  
base in faced panel  
L70 x P60 x H16 cm

**4TC/L**  
teca vetro  
base in nobilitato lucido  
glass case  
base in glossy faced panel  
L70 x P60 x H16 cm

**4F/EP**  
frontale  
ecopelle stampa coccodrillo  
frontal  
synth. croc printed leather  
L75 x P25 x H85 cm

**MODULO RETRO CASSA**  
BACK-CASH MODULE

**4F/EPL**  
frontale  
ecopelle stampa coccodrillo lucido  
frontal  
synth. croc printed glossy leather  
L75 x P25 x H85 cm



**4RC/N**  
nobilitato  
faced panel  
L100 x P40 x H100 cm

**4RC/NL**  
nobilitato lucido  
glossy faced panel  
L100 x P40 x H100 cm

**4TC/EP**  
teca vetro  
base in ecopelle stampa coccodrillo  
glass case  
base in synthetic croc printed leather  
L70 x P60 x H16 cm

**4TC/EPL**  
teca vetro  
base in ecopelle stampa coccodrillo lucido  
glass case  
base in synthetic croc printed glossy leather  
L70 x P60 x H16 cm

**4TC/ST**  
teca vetro  
base in laminato VeraPietra  
glass case  
base in faced panel TrueStone  
L70 x P60 x H16 cm



**BANCO CASSA CON INSERTO IN VERA PIETRA**  
**CASH COUNTER WITH REAL STONE INSET**

**4BCS/NST**

banco cassa small  
 struttura in nobilitato  
 inserto in laminato Vera Pietra  
*small cash counter  
 structure in faced panel  
 inset in Real Stone finishing*  
 L160 x P70 x H100 cm

**4BCS/LST**

banco cassa small  
 struttura in nobilitato lucido  
 inserto in laminato Vera Pietra  
*small cash counter  
 structure in glossy faced panel  
 inset in Real Stone finishing*  
 L160 x P70 x H100 cm

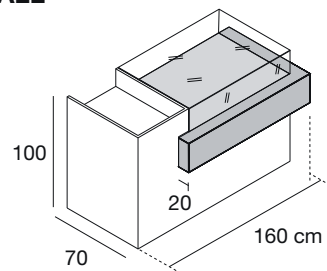
**4BCL/NST**

banco cassa large  
 struttura in nobilitato  
 inserto in laminato Vera Pietra  
*large cash counter  
 structure in faced panel  
 inset in Real Stone finishing*  
 L 204 x P70 x H100 cm

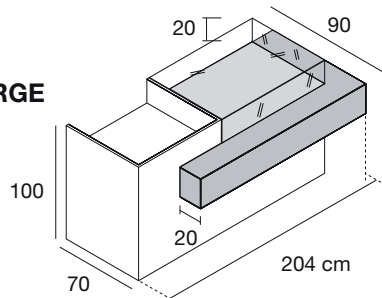
**4BCL/LST**

banco cassa large  
 struttura in nobilitato lucido  
 inserto in laminato Vera Pietra  
*large cash counter  
 structure in glossy faced panel  
 inset in Real Stone finishing*  
 L 204 x P70 x H100 cm

**SMALL**



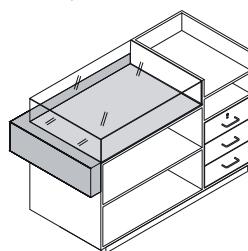
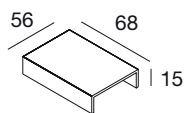
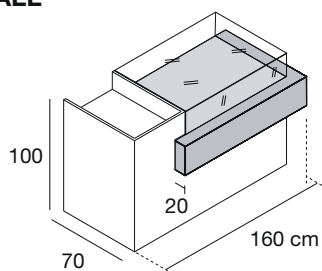
**LARGE**



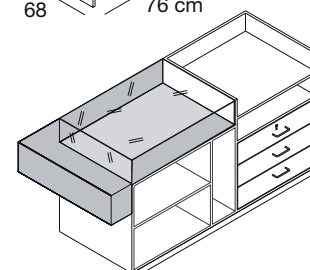
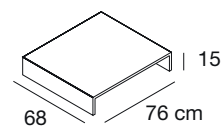
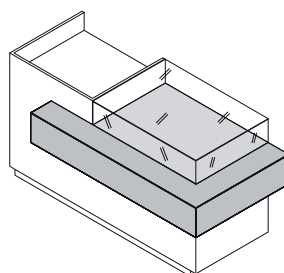
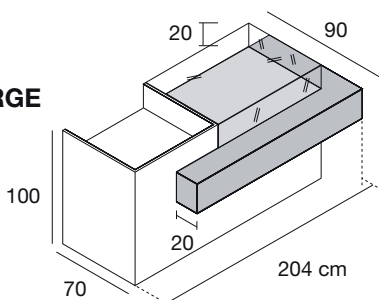


**BANCHI CASSA**  
CASH COUNTERS

**SMALL**



**LARGE**



**4BCS/NEP**

banco cassa small  
struttura in nobilitato  
inserto in ecopelle stampa coccodrillo  
*small cash counter  
structure in faced panel  
top coated with synth. croc printed leather*  
L160 x P70 x H100 cm

**4BCS/NEPL**

banco cassa small struttura in nobilitato  
inserto in ecopelle stampa coccodrillo  
lucido  
*small cash counter  
structure in faced panel  
top coated with synth. croc printed glossy  
leather*  
L160 x P70 x H100 cm

**4BCS/LEP**

banco cassa small  
struttura in nobilitato lucido  
inserto in ecopelle stampa coccodrillo  
*small cash counter  
structure in glossy faced panel  
top coated with synth. croc printed leather*  
L160 x P70 x H100 cm

**4BCS/LEPL**

banco cassa small  
struttura in nobilitato lucido  
inserto in ecopelle stampa coccodrillo  
lucido  
*small cash counter structure  
in glossy faced panel top coated with synth.  
croc printed glossy leather*  
L160 x P70 x H100 cm

**4BCL/NEP**

banco cassa large  
struttura in nobilitato  
inserto in ecopelle stampa coccodrillo  
*large cash counter  
structure in faced panel  
top coated with synth. croc printed leather*  
L204 x P70 x H100 cm

**4BCL/NEPL**

banco cassa large  
struttura in nobilitato inserto in ecopelle  
stampa coccodrillo lucido  
*large cash counter  
structure in faced panel  
top coated with synth. croc printed glossy  
leather*  
L204 x P70 x H100 cm

**4BCL/LEP**

banco cassa large  
struttura in nobilitato lucido  
inserto in ecopelle stampa coccodrillo  
*large cash counter  
structure in glossy faced panel  
top coated with synth. croc printed leather*  
L204 x P70 x H100 cm

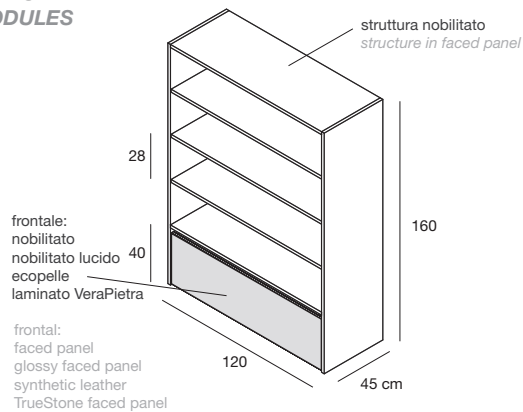
**4BCL/LEPL**

banco cassa large  
struttura in nobilitato lucido  
inserto in ecopelle stampa coccodrillo  
lucido  
*large cash counter  
structure in glossy faced panel top coated  
with synth. croc printed glossy leather*  
L204 x P70 x H100 cm





## MODULI MODULES



### 4MR/NN

modulo con ripiani struttura in nobilitato, frontale cassetto in nobilitato  
module with shelves structure in faced panel, drawer frontal in faced panel  
L120 x P45 x H160 cm

### 4MR/NEP

modulo con ripiani struttura in nobilitato frontale cassetto ecopelle st. coccodrillo  
module with shelves structure in faced panel, drawer frontal in synth. croc printed leather  
L120 x P45 x H160 cm

### 4MR/NL

modulo con ripiani struttura in nobilitato, frontale cassetto in nobilitato lucido  
module with shelves structure in faced panel drawer frontal in glossy faced panel  
L120 x P45 x H160 cm

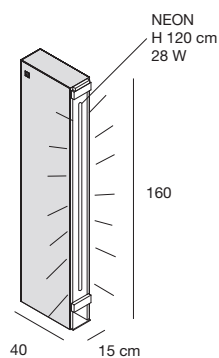
### 4MR/NEPL

modulo con ripiani struttura in nobilitato frontale cassetto ecopelle st. coccodrillo lucido  
module with shelves structure in faced panel, drawer frontal in synth. croc printed glossy leather pull out drawer with wheels  
L120 x P45 x H160 cm

### 4MR/NST

modulo con ripiani struttura in nobilitato frontale cassetto laminato VeraPietra  
module with shelves structure in faced panel, drawer frontal in faced panel TrueStone pull out drawer with wheels  
L120 x P45 x H160 cm

## MONTANTI UPRIGHTS

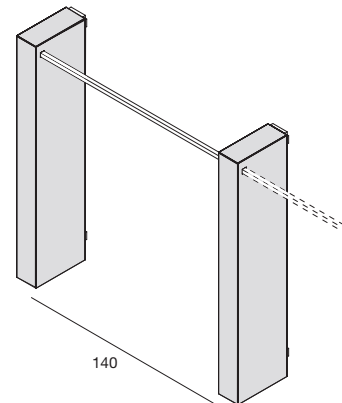


### 4M/N

montante retroilluminato nobilitato  
back lighted upright faced panel  
L15 x P40 x H160 cm

### 4M/L

montante retroilluminato nobilitato lucido  
back lighted upright glossy faced panel  
L15 x P40 x H160 cm



### 4M/EP

montante retroilluminato ecopelle st. coccodrillo  
back lighted upright synth. croc printed leather  
L15 x P40 x H160 cm

### 4M/EPL

montante retroilluminato ecopelle st. coccodrillo lucido  
back lighted upright synth. croc printed glossy leather  
L15 x P40 x H160 cm

### 4M/ST

montante retroilluminato laminato VeraPietra  
back lighted upright in faced panel TrueStone  
L15 x P40 x H160 cm



## ISOLE AUTOPORTANTI- FREESTANDING ISLANDS

### 4IS/NN - isola singola

base in nobilitato  
montante in nobilitato  
single island  
base in faced panel  
upright in faced panel  
L115 x P60 x H160 cm

### 4IS/NL - isola singola

base in nobilitato  
montante in nobilitato lucido  
single island  
base in faced panel  
upright in glossy faced panel  
L115 x P60 x H160 cm

### 4IS/NEP - isola singola

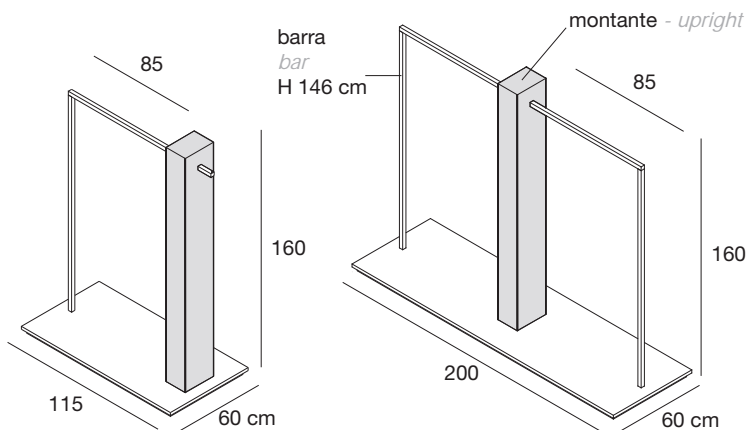
base in nobilitato montante in  
ecopelle st.coccodrillo  
single island base in faced panel  
upright coated with synth. croc  
printed leather  
L115 x P60 x H160 cm

### 4IS/NEPL - isola singola

base in nobilitato  
mont. in ecopelle st.coccodrillo lucido  
single island  
base in faced panel  
upright coated with synth. croc  
printed glossy leather  
L115 x P60 x H160 cm

### 4IS/NST - isola singola

base in nobilitato  
mont. in laminato VeraPietra  
single island  
base in faced panel  
upright in faced panel TrueStone  
L115 x P60 x H160 cm



### 4ISD/NN - isola doppia

base in nobilitato  
montante in nobilitato  
double island  
base in faced panel  
upright in faced panel  
L200 x P60 x H160 cm

### 4ISD/NL - isola doppia

base in nobilitato  
montante in nobilitato lucido  
double island  
base in faced panel  
upright in glossy faced panel  
L200 x P60 x H160 cm

### 4ISD/NEP - isola doppia

base in nobilitato  
montante in ecopelle st.coccodrillo  
double island  
base in faced panel  
upright coated with synth. croc  
printed leather  
L200 x P60 x H160 cm

### 4ISD/NEPL - isola doppia

base in nobilitato  
mont. in ecopelle st.coccodrillo lucido  
double island  
base in faced panel  
upright coated with synth. croc  
printed glossy leather  
L200 x P60 x H160 cm

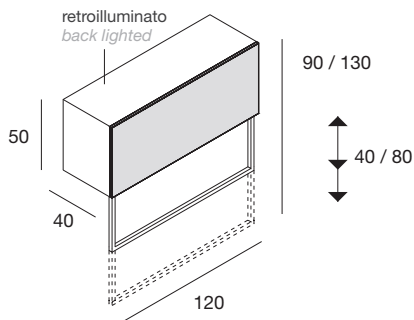
### 4ISD/NST - isola doppia

base in nobilitato  
mont. in laminato VeraPietra  
double island  
base in faced panel  
upright in faced panel TrueStone  
L200 x P60 x H160 cm





**BOX CON APPENDERIA**  
**BOX WITH CLOTHES HANGER**



**4BAP/NN**

box con appenderia  
struttura in nobilitato  
frontale in nobilitato  
box with clothes hanger  
structure in faced panel  
frontal in faced panel  
L120 x P40 x H50 cm

**4BAP/NL**

box con appenderia  
struttura in nobilitato  
frontale in nobilitato lucido  
box with clothes hanger  
structure in faced panel  
frontal in glossy faced panel  
L120 x P40 x H50 cm

**4BAP/NEP**

box con appenderia  
struttura in nobilitato  
frontale ecopelle  
st. coccodrillo  
box with clothes hanger  
structure in faced panel  
frontal in synth. croc  
printed leather  
L120 x P40 x H50 cm

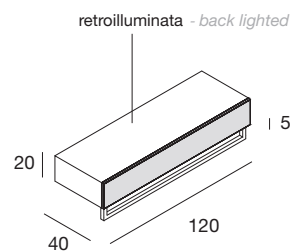
**4BAP/NEPL**

box con appenderia  
struttura in nobilitato  
frontale ecopelle  
st. coccodrillo lucido  
box with clothes hanger  
structure in faced panel  
frontal in synth.  
croc printed glossy leather  
L120 x P40 x H50 cm

**4BAP/NST**

box con appenderia  
struttura in nobilitato  
frontale laminato VeraPietra  
box with clothes hanger  
structure in faced panel  
frontal in faced panel TrueStone  
L120 x P40 x H50 cm

**MENSOLA CON APPENDERIA**  
**SHELF WITH CLOTHES HANGER**



**4MEA/NN**

mensola con appenderia  
struttura in nobilitato  
frontale in nobilitato  
shelf with clothes hanger  
structure in faced panel  
frontal in faced panel  
L120 x P40 x H20 cm

**4MEA/NL**

mensola con appenderia  
struttura in nobilitato  
frontale in nobilitato lucido  
shelf with clothes hanger  
structure in faced panel  
frontal in glossy faced panel  
L120 x P40 x H20 cm

**4MEA/NEP**

mensola con appenderia  
struttura in nobilitato  
frontale ecopelle  
st. coccodrillo  
shelf with clothes hanger  
structure in faced panel  
frontal in synth. croc  
printed leather  
L120 x P40 x H20 cm

**4MEA/NEPL**

mensola con appenderia  
struttura in nobilitato  
frontale ecopelle  
st. coccodrillo lucido  
shelf with clothes hanger  
structure in faced panel  
frontal in synth.  
croc printed glossy leather  
L120 x P40 x H20 cm

**4MEA/NST**

mensola con appenderia  
struttura in nobilitato  
frontale in laminato VeraPietra  
shelf with clothes hanger  
structure in faced panel  
frontal in faced panel TrueStone  
L120 x P40 x H20 cm



**MENSOLA**  
**SHELF**

**4ME/NN**

mensola  
struttura in nobilitato  
frontale in nobilitato  
shelf  
structure in faced panel  
frontal in faced panel  
L120 x P40 x H20 cm

**4ME/NEP**

mensola  
struttura in nobilitato  
frontale ecopelle  
st. coccodrillo  
shelf  
structure in faced panel  
frontal in synth. croc  
printed leather  
L120 x P40x H20 cm

**4ME/NST**

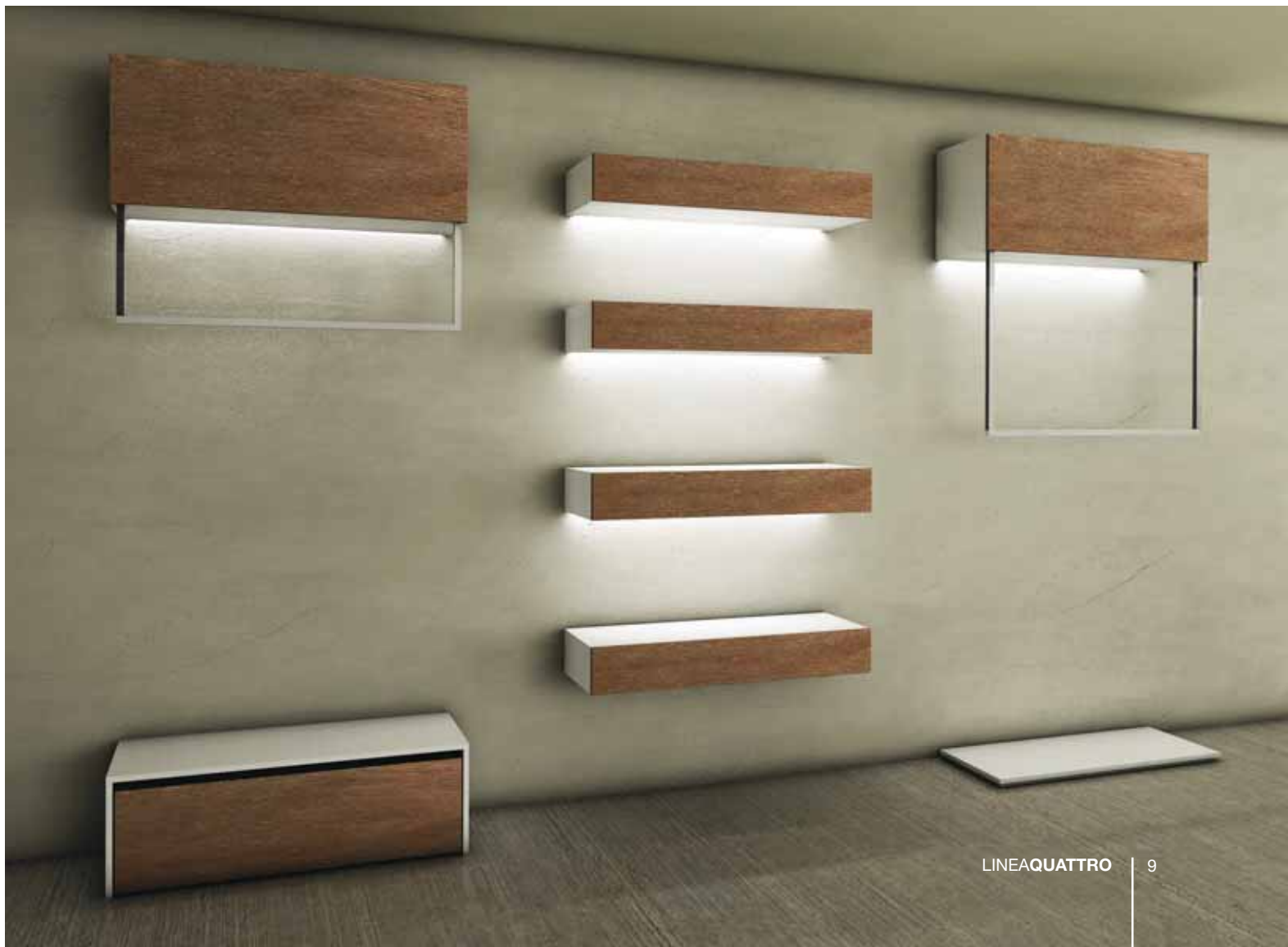
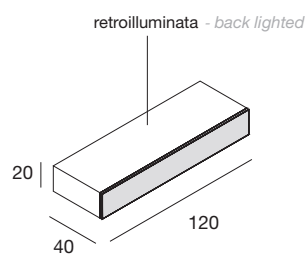
mensola  
struttura in nobilitato  
frontale in laminato VeraPietra  
shelf  
structure in faced panel  
frontal in faced panel TrueStone  
L120 x P40x H20 cm

**4ME/NL**

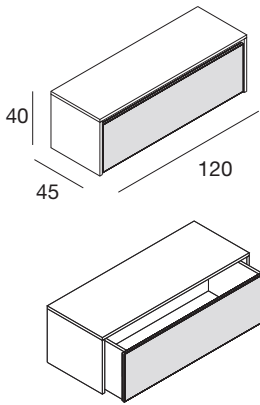
mensola  
struttura in nobilitato  
frontale in nobilitato lucido  
shelf  
structure in faced panel  
frontal in glossy faced panel  
L120 x P40 x H20 cm

**4ME/NEPL**

mensola  
struttura in nobilitato  
frontale ecopelle  
st. coccodrillo lucido  
shelf  
structure in faced panel  
frontal in synth.  
croc printed glossy leather  
L120 x P40 x H20 cm



**CASSETTIERE - PEDANE**  
**CHEST OF DRAWERS - PLATFORMS**



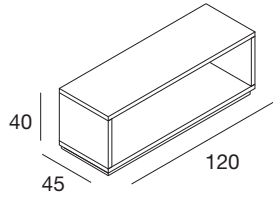
**4CA/N**  
 cassettera  
 struttura in nobilitato  
 frontale in nobilitato  
*chest of drawers  
 structure in faced panel  
 frontal in faced panel*  
 L120 x P45 x H40 cm

**4CA/L**  
 cassettera  
 struttura in nobilitato  
 frontale in nobilitato o lucido  
*chest of drawers  
 structure in faced panel  
 frontal in glossy faced panel*  
 L120 x P45 x H40 cm

**4CA/EP**  
 cassettera  
 struttura in nobilitato  
 frontale in ecopelle st. coccodrillo  
*chest of drawers  
 structure in faced panel  
 frontal coated with synth.  
 croc printed leather*  
 L120 x P45 x H40 cm

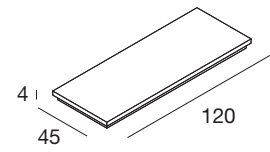
**4CA/EPL**  
 cassettera  
 struttura in nobilitato  
 frontale in ecopelle st. coccodrillo lucido  
*chest of drawers  
 structure in faced panel  
 frontal coated with synth.  
 croc printed glossy leather*  
 L120 x P45 x H40 cm

**4CA/ST**  
 cassettera  
 struttura in nobilitato  
 frontale in laminato VeraPietra  
*chest of drawers  
 structure in faced panel  
 frontal in faced panel TrueStone*  
 L120 x P45 x H40 cm



**4A/N**  
 anello  
 nobilitato  
*ring  
 faced panel*  
 L120 x P45 x H40 cm

**4A/L**  
 anello  
 nobilitato lucido  
*ring  
 glossy faced panel*  
 L120 x P45 x H40 cm



**4PED/N**  
 pedana  
 nobilitato  
 rialzata con zoccolo  
*platform  
 faced panel  
 raised whit baseboard*  
 L120 x P45 x H40 cm

**4PED/L**  
 pedana  
 nobilitato lucido  
 rialzata con zoccolo  
*platform  
 glossy faced panel  
 raised whit baseboard*  
 L120 x P45 x H40 cm

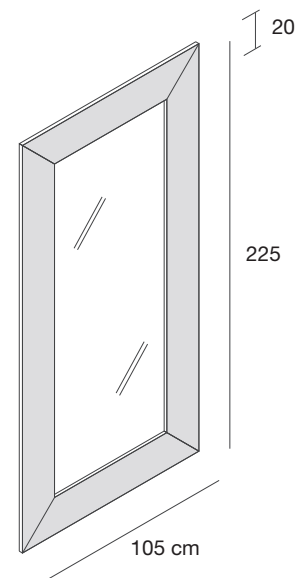
**SPECCHI**  
**MIRRORS**

**4MIR/N**  
 specchio  
 cornice in nobilitato  
*mirror  
 frame in faced panel*  
 L105 x H225 cm

**4MIR/L**  
 specchio  
 cornice in nobilitato lucido  
*mirror  
 frame in glossy faced panel*  
 L105 x H225 cm

**4MIR/EP**  
 specchio  
 cornice in ecopelle stampa coccodrillo  
*mirror  
 frame in synth. croc printed leather*  
 L105 x H225 cm

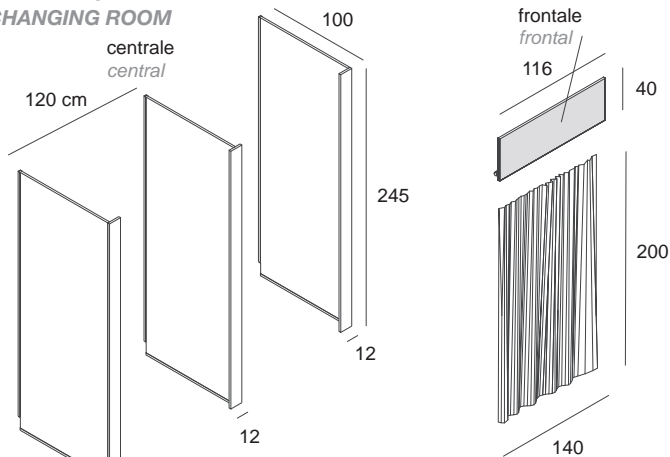
**4MIR/EPL**  
 specchio  
 cornice in ecopelle stampa coccodrillo lucido  
*mirror  
 frame in synth. croc printed glossy leather*  
 L105 x H225 cm







**CAMERINO  
CHANGING ROOM**



**4CAM1/N**  
coppia spallette camerino  
nobilitato  
changing room side walls (pair)  
faced panel  
L12 x P100 x H245 cm

**4CAM2/N**  
spalletta centrale camerino  
nobilitato  
changing room central wall  
faced panel  
L12 x P100 x H245 cm

**4CAM3/N**  
frontale camerino  
nobilitato  
changing room frontal  
faced panel  
L116 x P40 cm

**4CAM3/EP**  
frontale camerino  
ecopelle st. coccodrillo  
changing room frontal  
synth. croc printed leather  
L116 x P40 cm

**4CAM3/EPL**  
frontale camerino  
ecopelle st. coccodrillo lucido  
completo di tubo  
changing room frontal  
synth. croc printed glossy leather  
with tube  
L116 x P40 cm

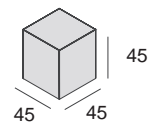
**4TEV**  
tenda  
curtain  
L140 x H200 cm

**4MRR/N**  
specchio  
cornice in nobilitato  
mirror  
frame in faced panel  
L85 x H205 cm

**4MRR/EP**  
specchio con cornice in eco-  
pelle st. coccodrillo  
mirror  
synth. croc printed leather  
L85 x H205 cm

**4MRR/EPL**  
specchio  
cornice in ecopelle st. cocco-  
drillo lucido  
mirror  
synth. croc printed glossy  
leather  
L85 x H205 cm

**4GA**  
gancio appenderia  
alluminio  
clothes hanger  
aluminium  
H10 cm



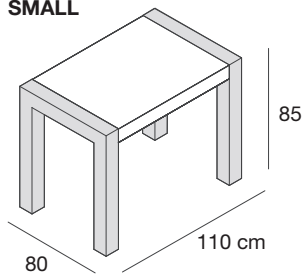
**4POU/EP**  
pouf rivestito  
ecopelle st. coccodrillo  
pouf  
synth. croc printed leather  
L45 x P45 x H45 cm

**4POU/EPL**  
pouf rivestito  
ecopelle st. coccodrillo lucido  
pouf  
synth. croc printed glossy leather  
L45 x P45 x H45 cm



**TAVOLI**  
**TABLES**

**SMALL**



**4TAS/NEP**

tavolo small  
piano in nobilitato  
gambe ecopelle st. coccodrillo  
*small table*  
*surface in faced panel*  
*legs coated with synth. croc printed leather*  
L110 x P80 x H85 cm

**4TAS/NEPL**

tavolo small  
piano in nobilitato  
gambe ecopelle st. coccodrillo lucido  
*small table*  
*surface in faced panel*  
*legs coated with synth. croc printed glossy leather*  
L110 x P80 x H85 cm

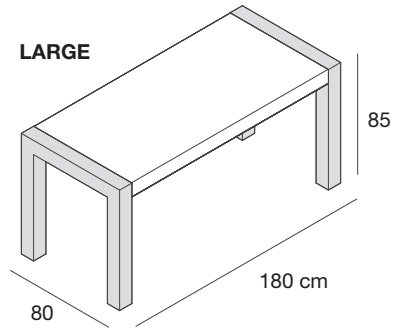
**4TAS/LEP**

tavolo small  
piano in nobilitato lucido  
gambe ecopelle st.coccodrillo  
*small table*  
*surface in glossy faced panel*  
*legs coated with synth. croc printed leather*  
L110 x P80 x H85 cm

**4TAS/LEPL**

tavolo small  
piano in nobilitato lucido  
gambe ecopelle st. coccodrillo lucido  
*small table*  
*surface in glossy faced panel*  
*legs coated with synth. croc printed glossy leather*  
L110 x P80 x H85 cm

**LARGE**



**4TAL/NEP**

tavolo large  
piano in nobilitato  
gambe ecopelle st. coccodrillo  
*large table*  
*surface in faced panel*  
*legs coated with synth. croc printed leather*  
L180 x P80 x H85 cm

**4TAL/NEPL**

tavolo large  
piano in nobilitato  
gambe ecopelle st. coccodrillo lucido  
*large table*  
*surface in faced panel*  
*legs coated with synth. croc printed glossy leather*  
L180 x P80 x H85 cm

**4TAL/LEP**

tavolo large  
piano in nobilitato lucido  
gambe ecopelle st.coccodrillo  
*large table*  
*surface in glossy faced panel*  
*legs coated with synth. croc printed leather*  
L180 x P80 x H85 cm

**4TAL/LEPL**

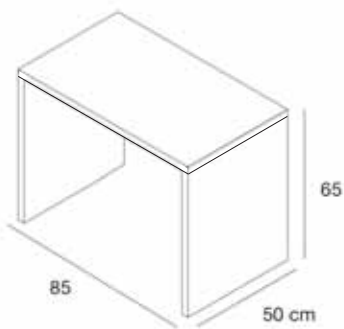
tavolo large  
piano in nobilitato lucido  
gambe ecopelle st. coccodrillo lucido  
*large table*  
*surface in glossy faced panel*  
*legs coated with synth. croc printed glossy leather*  
L180 x P80 x H85 cm







**TAVOLI - POUF**  
**TABLES - POUF**

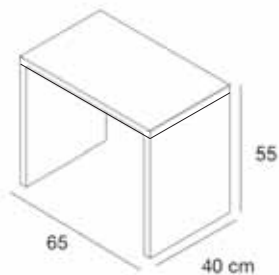


**4TA1/N**

tavolo  
 nobilitato  
 table  
 faced panel  
 L85 x P50 x H65 cm

**4TA1/L**

tavolo  
 nobilitato lucido  
 table  
 glossy faced panel  
 L85 x P50 x H65 cm

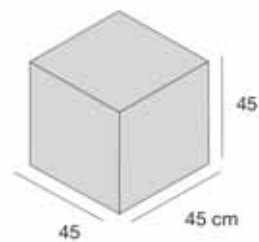


**4TA2/N**

tavolo  
 nobilitato  
 table  
 faced panel  
 L65 x P40 x H55 cm

**4TA1/L**

tavolo  
 nobilitato lucido  
 table  
 glossy faced panel  
 L65 x P40 x H55 cm

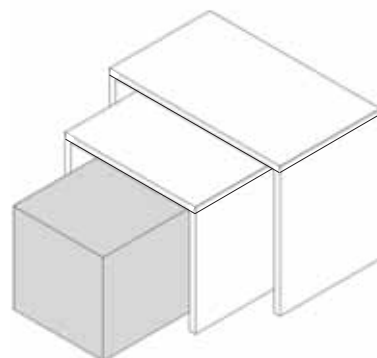


**4POU/EP**

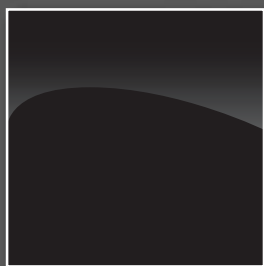
pouf  
 ecopelle st. coccodrillo  
 pouf  
 synth. croc  
 printed leather  
 L45 x P45 x H45 cm

**4POU/EPL**

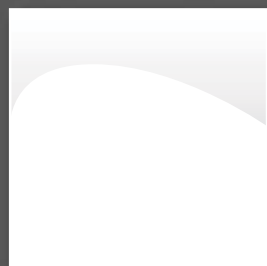
pouf  
 ecopelle st. coccodrillo lucido  
 pouf  
 synth. croc printed  
 glossy leather  
 L45 x P45 x H45 cm



**NOBILITATI**  
*FACED PANELS*



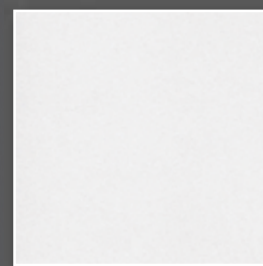
**NERO LUCIDO**  
*GLOSSY BLACK*



**BIANCO LUCIDO**  
*GLOSSY WHITE*



**NERO**  
*BLACK*



**BIANCO**  
*WHITE*



**ABETE NODATO**  
*KNOTTED FIR*



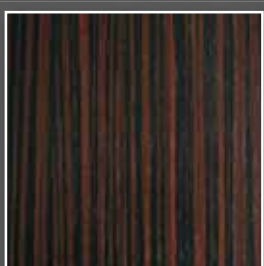
**ABETE VISSUTO BIANCO**  
*WHITE VINTAGE FIR*



**ROVERE TAVOLATO**  
*PLANKED OAK*



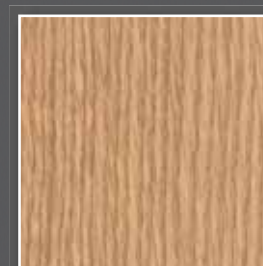
**ABETE GESSATO**  
*CHALKY FIR*



**EBANO PRECOMPOSTO**  
*EBONY VENEERED PLYWOOD*



**WENGE'**  
*WENGE'*



**ROVERE AMERICANO**  
*AMERICAN OAK*



**LAMIERA OSSIDATA**  
*OXIDIZED SHEET*

**FINITURE E MATERIALI "VERA PIETRA"**  
*FINISHINGS AND MATERIALS "REAL STONE"*



**ARGENTO**



**COBRE NEW**



**AURO**



**D\_BLACK**



**FINITURE TESSUTI**  
*FABRIC FINISHINGS*



**VELLUTO BEIGE**  
*VELVET BEIGE*



**VELLUTO ROSSO**  
*VELVET RED*



**VELLUTO NERO**  
*VELVET BLACK*



**TAFTA' CRINKLE NEWCREAM**  
*TAFTA' CRINKLE NEWCREAM*



**TAFTA' CRINKLE GRIGIO**  
*TAFTA' CRINKLE GREY*



**TAFTA' CRINKLE BORDEAUX**  
*TAFTA' CRINKLE BORDEAUX*



**TAFTA' CRINKLE GREEN**  
*TAFTA' CRINKLE GREEN*

**ECOPELLE STAMPA COCCODRILLO**  
*SYNTHETIC CROC PRINTED LEATHER*



**BIANCO**  
*WHITE*



**BEIGE**  
*BEIGE*



**CASTAGNO**  
*CHESTNUT*

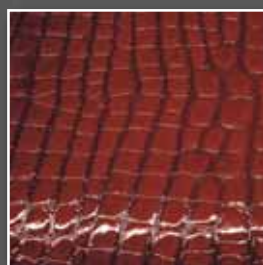


**NERO**  
*BLACK*

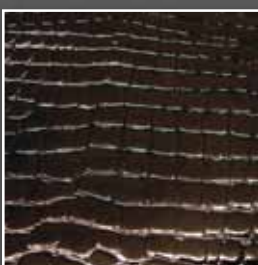
**ECOPELLE STAMPA COCCODRILLO LUCIDO**  
*SYNTHETIC CROC PRINTED GLOSSY LEATHER*



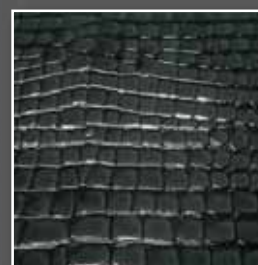
**AVORIO**  
*IVORY*



**ROSSO RUBINO**  
*RUBY RED*



**TESTA DI MORO**  
*DARK BROWN*

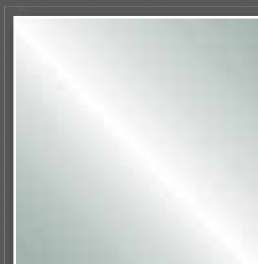


**GRIGIO**  
*GREY*

**ACCESSORI**  
*ACCESORIES*



**ACCIAIO SPAZZOLATO**  
*BRUSHED STEEL*



**VETRO TEMPERATO**  
*CLEAR GLASS*



**MADE IN ITALY**



#### CONDIZIONI GENERALI DI VENDITA

- La merce viene controllata prima della spedizione. Il vettore è il solo responsabile di eventuali danni. Spetta al cliente controllare la merce all'atto del ritiro e contestare subito al vettore le eventuali avarie e mancanze. Reclami non relativi al trasporto devono essere presentati entro 8 giorni dalla data di ricevimento della merce. Dopo tale termine la merce si intende integralmente accettata.
- La Brugnotto shop interiors si riserva di apportare variazioni tecniche, dimensionali, estetiche a materiali e prodotti.
- Non verranno accettati resi di merce se non preventivamente autorizzati per iscritto da Brugnotto shop interiors. Il reso sarà sempre spedito alla nostra sede franco ogni spesa e adeguatamente imballato nella scatola originale. Imballaggi inadeguati che comportino danni all'articolo, autorizzeranno Brugnotto shop interiors ad addebitare il costo.
- Per qualsiasi controversia il Foro competente sarà quello di Treviso.

#### GENERAL TERMS OF SALE

- *The goods are checked before any shipment. The carrier is the one responsible for any damage. It's up to the customer to check the goods upon collection and contest immediately the carrier for any lacking or damage.*
- *Brugnotto shop interiors reserves the right to bring any technical, size and aesthetical modifications to the products.*
- *Returned good will not be accepted unless previously authorized by Brugnotto shop interiors in writing by written letter. Returned goods must always be sent to our main offices free of all charges and properly packaged in their original box. Improper boxing, resulting in damage to the item, will authorize Brugnotto shop interiors to charge its cost. The purchaser, under no circumstances, will have a claim on any type of compensation. Penalties may be taken into consideration only upon previous written agreements.*
- *Any dispute will be resolved at the place of jurisdiction of Treviso (Italy).*

**BRUGNOTTO**<sup>®</sup>  
SHOP INTERIORS

**Bjørn Haug AS**  
Oserødmyra 2  
3138 SKALLESTAD  
Tlf: 33 29 99 90

**[www.bjornhaug.no](http://www.bjornhaug.no)**  
**[bjorn@bjornhaug.no](mailto:bjorn@bjornhaug.no)**

